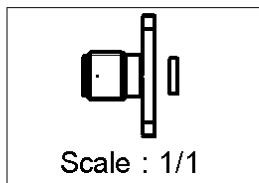
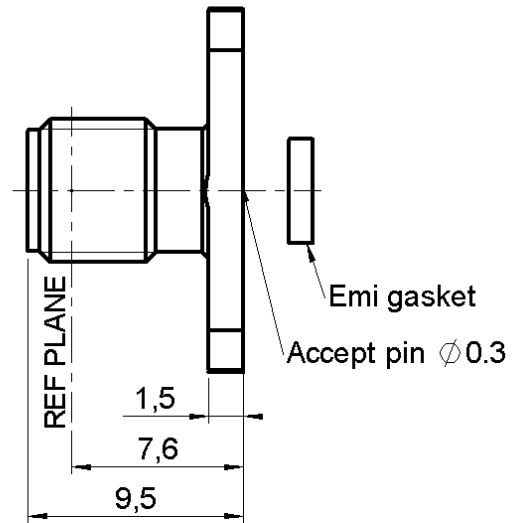
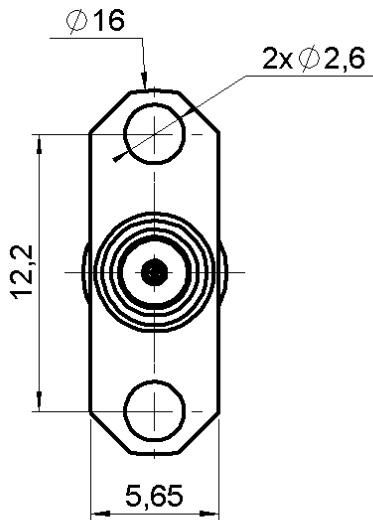


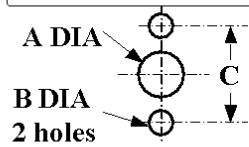
**2 HOLES FLANGE JACK RECEPTACLE
WITH EMI GASKET FOR 0.3 MM DIA**

R125.465.001

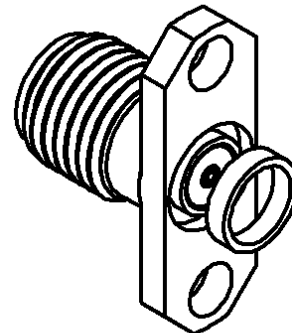
Series : SMA



PANEL CUT OUT



	mm	
	Maxi	mini
A	4.2	4.1
B	2.65	2.6
C	12.25	12.15



All dimensions are in mm.



COMPONENTS	MATERIALS	PLATINGS (µm)
BODY	STAINLESS STEEL	PASSIVATED .
CENTER CONTACT	BERYLLIUM COPPER	GOLD 1.3 OVER NICKEL 2
OUTER CONTACT	-	-
INSULATOR	PTFE	-
GASKET	SILICON CuAg(conductor)	-
OTHERS PARTS	-	-
-	-	-
-	-	-

Issue : 0203 C

In the effort to improve our products, we reserve the right to make changes judged to be necessary.



**2 HOLES FLANGE JACK RECEPTACLE
WITH EMI GASKET FOR 0.3 MM DIA**

R125.465.001

Series : SMA

PACKAGING

SPECIFICATION

Standard	Unit	Other
100	W option	Contact us

ELECTRICAL CHARACTERISTICS

ENVIRONMENTAL

Impedance		50 Ω
Frequency		0-18 GHz
VSWR	1.06 * +	0.002 x F(GHz) Maxi
Insertion loss		0.07 * √F(GHz) dB Maxi
RF leakage	-	60 - F(GHz)) dB Maxi
Voltage rating		500 Veff Maxi
Dielectric withstanding		1000 Veff mini
Insulation resistance		5000 MΩ mini

Operating temperature	-65/+105 ° C
Hermetic seal	NA Atm.cm3/s
Panel leakage	NA

OTHERS CHARACTERISTICS

Assembly instruction **NA**

Others :

* Coaxial Transmission Line Only

MECHANICAL CHARACTERISTICS

Center contact retention		
Axial force – Mating end	27	N mini
Axial force – Opposite end	27	N mini
Torque	2.8	N.cm mini
Recommended torque		
Mating	NA	N.cm
Panel nut	NA	N.cm
Mating life	500	Cycles mini
Weight	1.600	g

Issue : 0203 C

In the effort to improve our products, we reserve the right to make changes judged to be necessary.

